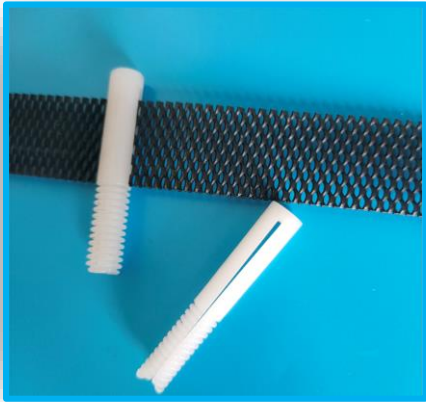


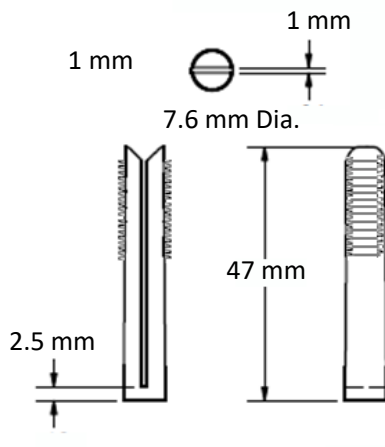
Split Plastic Center Pin



Plastic center pins are used to install the ribbon mesh anode in the saw-cut slot in concrete. To uniformly discharge CP current from the ribbon mesh, it must be fully embedded in grout.

Material: Polypropylene Copolymer (Polene 2300K)

Physical Property	Test Method	Unit	Value
MFI 2.16 kg/230 °C	ASTMD1238	g/10min	4
Tensile Strength at Yield	ASTMD638	N/mm ²	27
Charpy Notched Impact Strength at -20 °C	DIN 53453	mJ/mm ²	4
Shear Modulus	DIN 53457	N/mm ²	578
Ball Indentation Hardness	DIN 53456	N/mm ²	70
Heat Distortion Temperature at 0.45 N/mm ²	ASTMD648	°C	98



Ribbon mesh in saw-cut slot