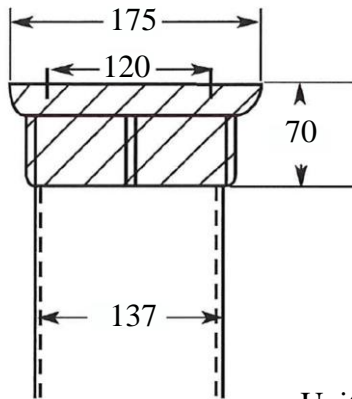


Cast Iron Test Station

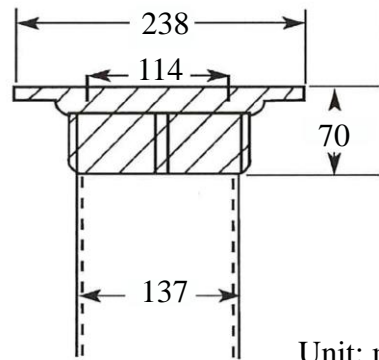


Features

- Cast Iron rim and lid, ABS plastic body.
- Lids available in drop turn locking and mechanical locking design.
- Terminal blocks available in various designs with multiple terminals.
- Available with or without flared or squared base to prevent pull-out.
- Customer lettering on lid available.



Unit: mm



Unit: mm

